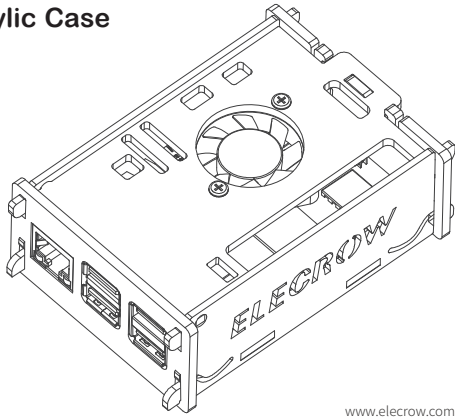


Raspberry Pi 5 Acrylic Case

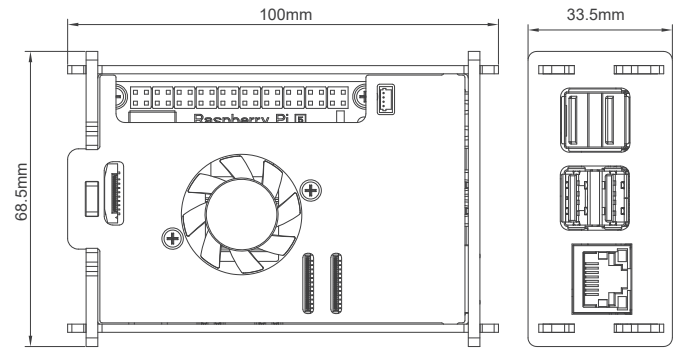


Instructions

©ELECROW All Rights Reserved.

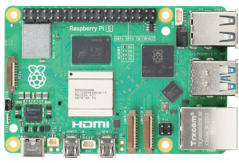
www.elecrow.com

Product Parameters

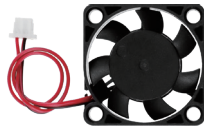


Step 1: Preparation

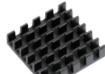
Note: Before installation, please remove the stickers on the acrylic panel.



Raspberry Pi 5 X1 (Not included)



Cooling Fan X1



Heat Sink X1



CM2.5X12MM Screws&Nuts X2



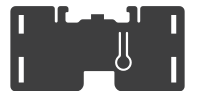
CM2.5X8MM Screws X4



Plastic Column X4



Acrylic Left&Right Panel X2



Acrylic Front&Back Panel X2



Acrylic Base Panel X1



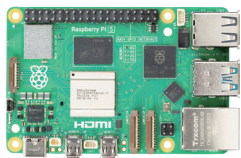
Acrylic Top Panel X1



Screwdriver X1

Step 2: Install The Acrylic Base Panel

Fix the acrylic base panel to the bottom of Raspberry Pi 5.



Raspberry Pi 5



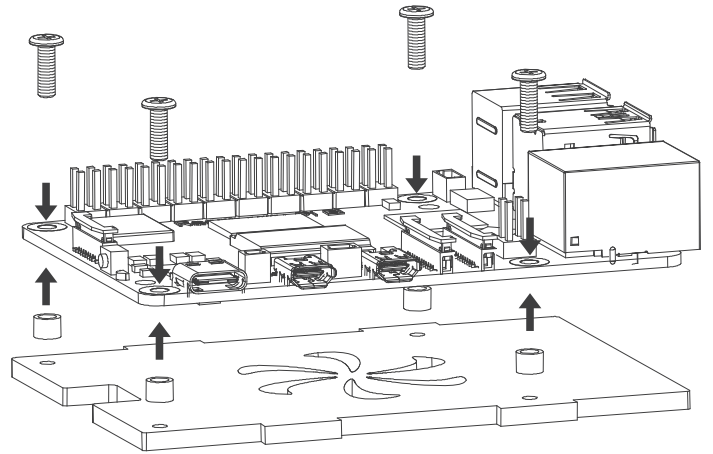
Acrylic Base Panel X1



CM2.5X8MM Screws X4

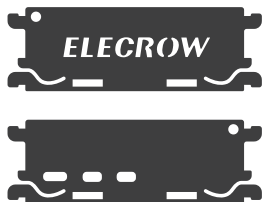


Plastic Column X4



Step 3: Install Acrylic Left and Right Side Panels and Top Panel

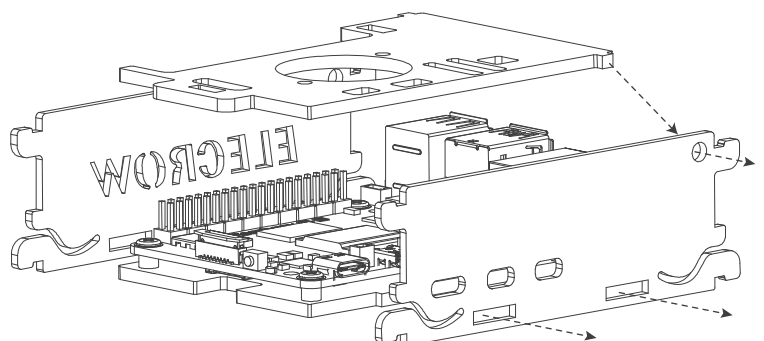
Place the corresponding port holes on the left and right acrylic panels to the Raspberry Pi 5, and insert the acrylic top panel to the round holes on side panels.



Acrylic Left&Right Panel X2

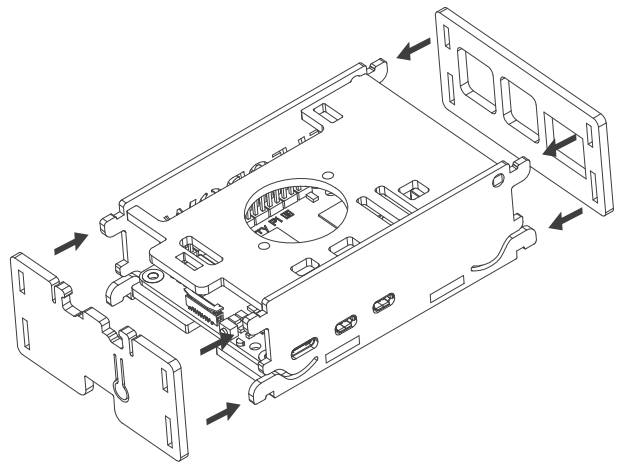
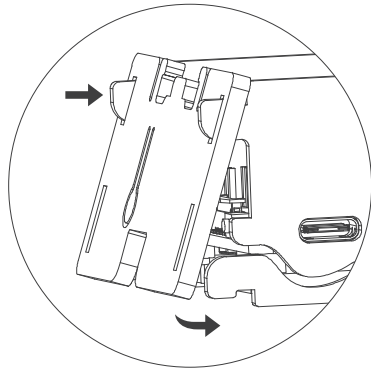
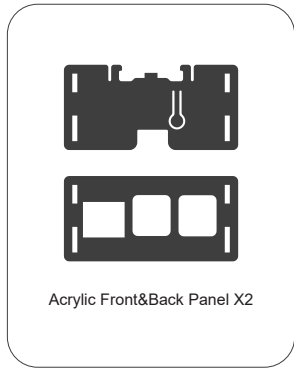


Acrylic Top Panel X1



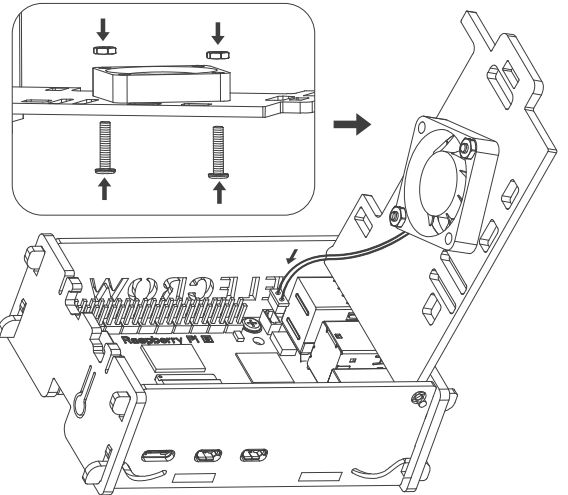
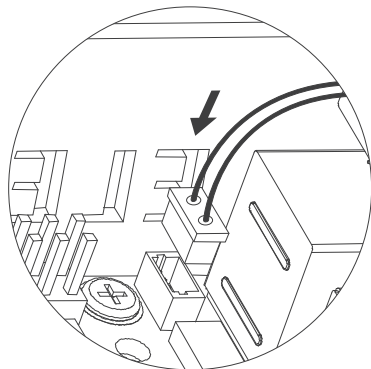
Step 4: Install Acrylic Front and Back Side Panels

Place the corresponding port holes on the acrylic front and back panels to the Raspberry Pi 5.



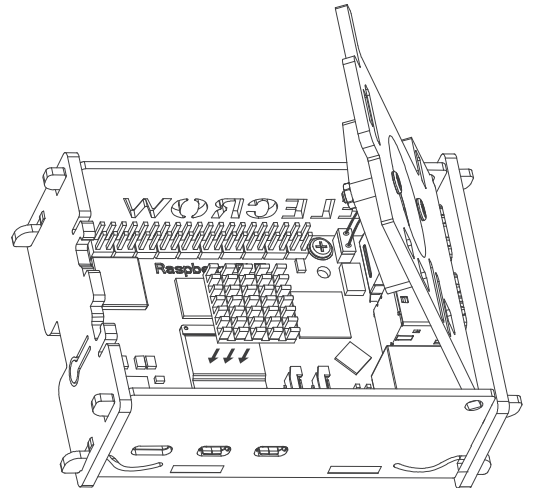
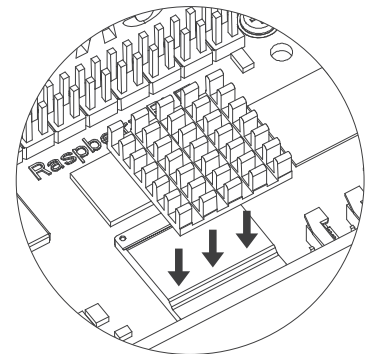
Step 5: Install Cooling Fan

Fix the cooling fan to the acrylic top panel with screws and nuts, and insert the cooling fan's power cable to the FAN port of the Raspberry Pi 5.



Step 6: Install Heat Sink

Attach the heat sink to the mainboard component of Raspberry Pi 5.
Note: please tear off the release paper at the bottom of the heat sink first.



*Step 7: Install Raspberry Pi Official Active Cooler

If you use an official active cooler, please do not refer to steps 5 and 6 and install the active cooler directly.
Note: The active cooler is not included in the package, please purchase it separately.

