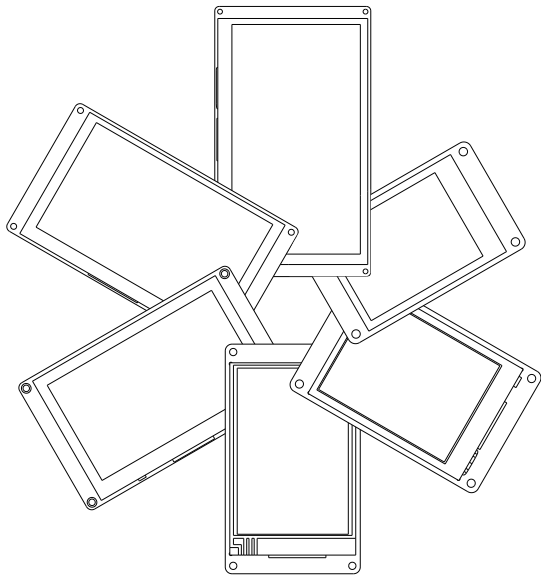


CrowPanel

User Manual

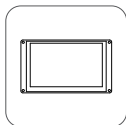


Thank you for purchasing our product.

Please read this user manual carefully before use and keep it properly for future reference.

Package List

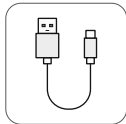
The following list diagram is for reference only.
Please refer to the actual product inside the package for details.



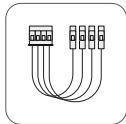
1x
ESP32 Display



1x
User Manual



1x
USB-A to Type-C Cable



1x
Crowtail/Grove to 4pin DuPont Cable

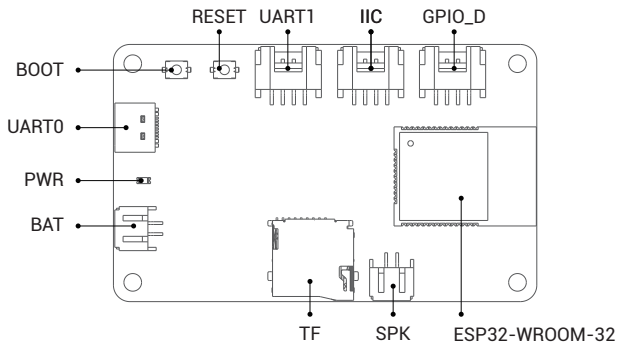


1x
Resistive Touch Pen
(5-inch and 7-inch display do not come with a resistive touch pen.)

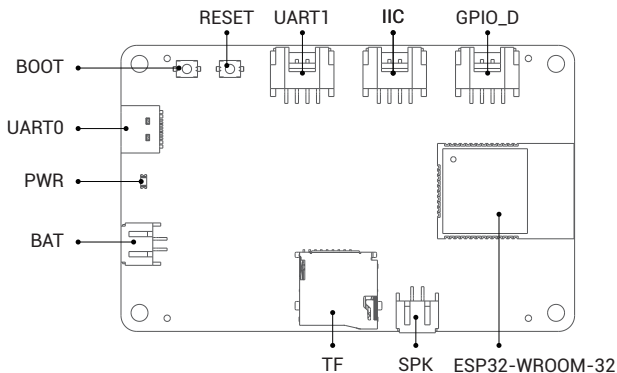
Screen Buttons and Interfaces

Screen appearance varies by model, and diagrams are for reference only.
Interfaces and buttons are silk screen labeled, use actual product as reference.

ESP32 Display 2.4 Inch

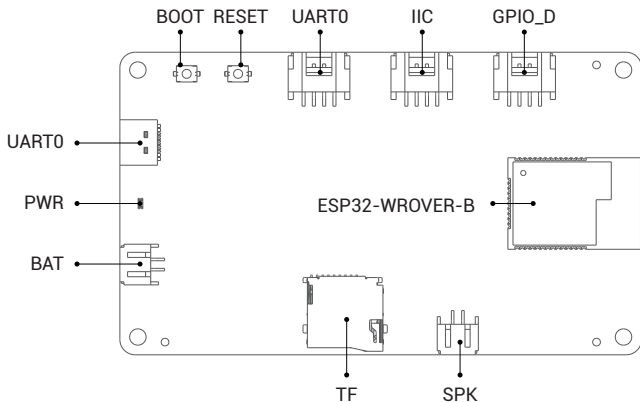


ESP32 Display 2.8 Inch

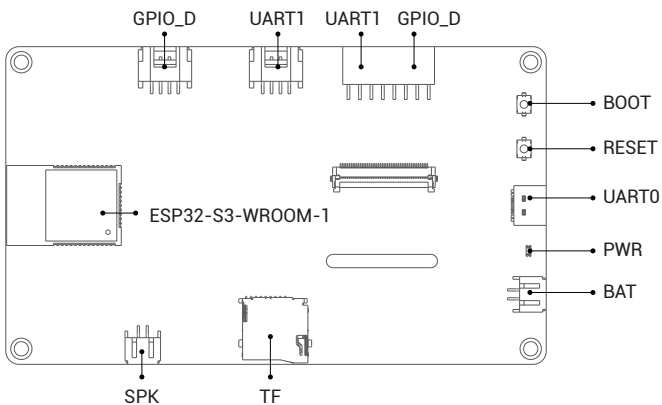


Screen Buttons and Interfaces

ESP32 Display 3.5 Inch

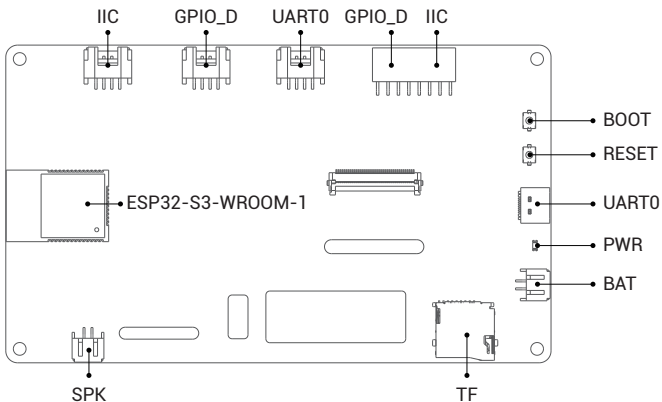


ESP32 Display 4.3 Inch

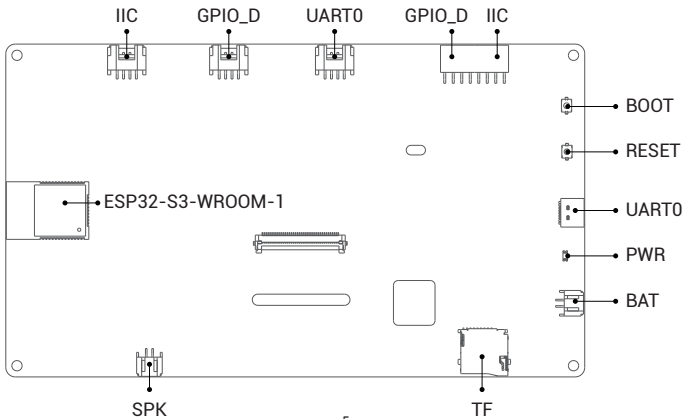


Screen Buttons and Interfaces

ESP32 Display 5.0 Inch



ESP32 Display 7.0 Inch



Parameters

Size	2.4"	2.8"	3.5"
Resolution	320*240	320*240	480*320
Touch Type	Resistive Touch	Resistive Touch	Resistive Touch
Main Processor	ESP32-WROOM-32-N4	ESP32-WROOM-32-N4	ESP32-WROVER-B
Frequency	240 MHz	240 MHz	240 MHz
Flash	4MB	4MB	4MB
SRAM	520KB	520KB	520KB
ROM	448KB	448KB	448KB
PSRAM	/	/	8MB
Display Driver	ILI9341V	ILI9341V	ILI9488
Screen Type	TFT	TFT	TFT
Interface	1*UART0, 1*UART1, 1*IIC, 1*GPIO, 1*Battery	1*UART0, 1*UART1, 1*IIC, 1*GPIO, 1*Battery	2*UART0, 1*IIC, 1*GPIO, 1*Battery
Speaker Jack	YES	YES	YES
TF Card Slot	YES	YES	YES
Active Area	36.72*48.96mm(W*H)	43.2*57.6mm(W*H)	48.96*73.44mm(W*H)

Parameters

Size	4.3"	5.0"	7.0"
Resolution	480*272	800*480	800*480
Touch Type	Resistive Touch	Capacitive Touch	Capacitive Touch
Main Processor	ESP32-S3-WROOM-1-N4R2	ESP32-S3-WROOM-1-N4R8	ESP32-S3-WROOM-1-N4R8
Frequency	240 MHz	240 MHz	240 MHz
Flash	4MB	4MB	4MB
SRAM	512KB	512KB	512KB
ROM	384KB	384KB	384KB
PSRAM	2MB	8MB	8MB
Display Driver	NV3047	ILI6122 & ILI5960	EK9716BD3 & EK73002ACGB
Screen Type	TFT	TFT	TFT
Interface	1*UART0, 2*UART1, 2*GPIO, 1*Battery	2*UART0, 2*GPIO, 2*IIC, 1*Battery	2*UART0, 2*GPIO, 2*IIC, 1*Battery
Speaker Jack	YES	YES	YES
TF Card Slot	YES	YES	YES
Active Area	95.04*53.86mm(W*H)	108*64.8mm(W*H)	153.84*85.63mm(W*H)

Expansion Resources

For more detailed information, please scan the QR code to the URL:

https://www.elecrow.com/wiki/CrowPanel_ESP32_HMI_Wiki_Content.html



- Schematic Diagram
- Source Code
- ESP32 Module Datasheet
- Arduino Libraries

Safety Instructions

To ensure safe use and avoid injury or property damage to yourself and others, please follow the safety instructions below.

- Avoid exposing the screen to sunlight or strong light sources to prevent affecting its viewing effect and lifespan.
- Avoid pressing or shaking the screen hard during use to prevent loosening of internal connections and components.
- For screen malfunctions, such as flickering, color distortion, or unclear display, stop use and seek professional repair.
- Before repairing or replacing any equipment components, make sure to turn off the power and disconnect from the device.

Company Name: Elecrow Technology Development Co., Ltd.

Company address: No.4832 Ba'an Avenue, Bao'an District, Shenzhen City

Company website: <https://www.elecrow.com>

Made in China

