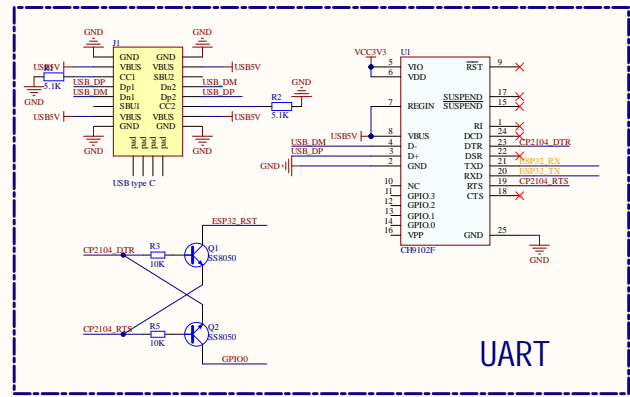
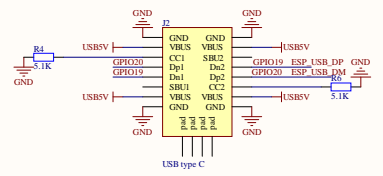
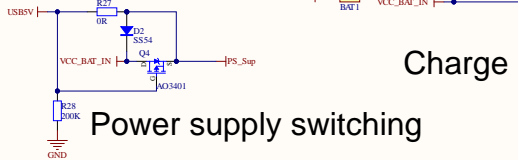
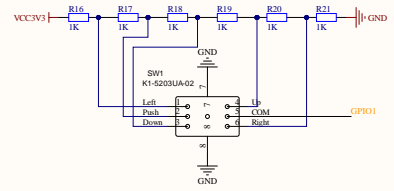
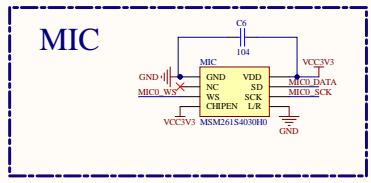
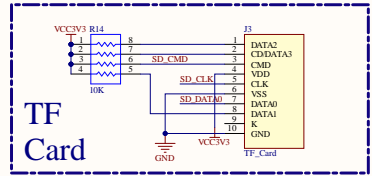
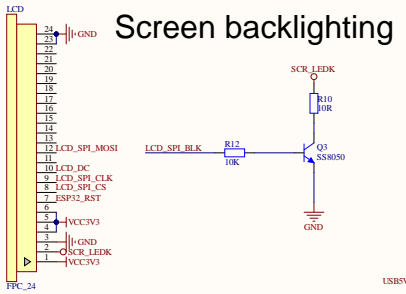
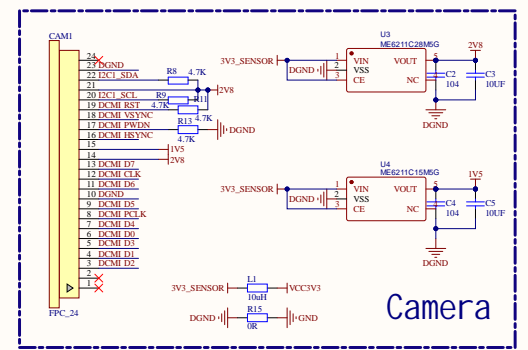
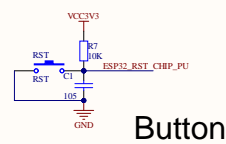
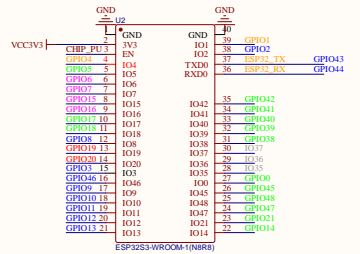
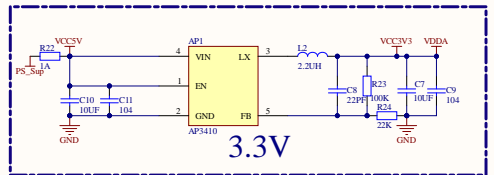


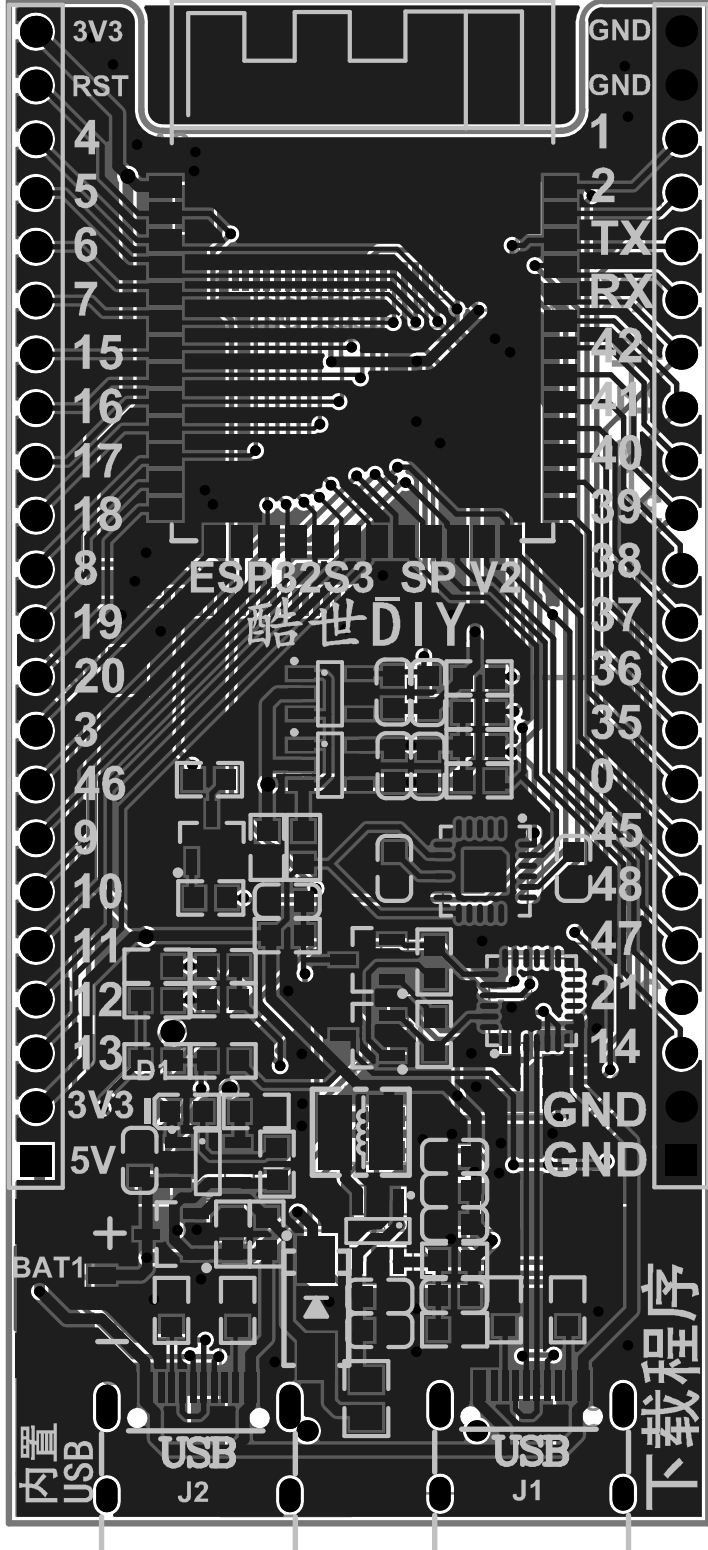
# ESP32S3



- DC1\_SDA GPIO4
- DC1\_SCL GPIO5
- DCM1\_CLK GPIO15
- DCM1\_PCLK GPIO13
- DCM1\_FSYNC GPIO7
- DCM1\_VSYNC GPIO6
- DCM1\_D0 GPIO11
- DCM1\_D1 GPIO9
- DCM1\_D2 GPIO8
- DCM1\_D3 GPIO10
- DCM1\_D4 GPIO12
- DCM1\_D5 GPIO18
- DCM1\_D6 GPIO17
- DCM1\_D7 GPIO16
- WS2812\_DAT GPIO38
- MIC0\_WS GPIO42
- MIC0\_DATA GPIO2
- MIC0\_SCK GPIO4
- SD\_CLK GPIO39
- SD\_CMD GPIO38
- SD\_DATA0 GPIO40
- LCD\_DC GPIO45
- LCD\_SPL\_CS GPIO4
- LCD\_SPL\_CLK GPIO21
- LCD\_SPL\_MOSI GPIO47
- LCD\_SPL\_RST ESP32\_RST LCD\_RST
- LCD\_SPL\_BLK GPIO48



Title			Revision
Size	Number		
A2			
Date:	8/2/2023	Sheet of	
File:	F:\Github_ESP32S3_SP_V2_SchDoc	Drawn By:	



Comment	Description	Designator	Footprint	LibRef	Quantity
WS2812B		2812	LED_3528_RGB	WS2812B	1
AP3410		AP1	SOT23-5N	AP3410	1
BAT	molex 53261-0271 2P	BAT1	MOLEX 53398-0271	Header 4	1
BOOT	Switch	BOOT	KEY_1	SW-PB	1
105	Capacitor	C1	LC-0603_C	C	1
104	[NoValue], Capacitor	C2, C4, C6, C9, C11, C13	LC-0603_C	CAP	6
10UF		C3, C5, C7, C10, C14	LC-0603_C	CAP	5
22PF		C8	LC-0603_C	cap	1
0.022uf	Capacitor	C12	LC-0603_C	Cap	1
FPC_24		CAM1	FPC_24	FPC_24	1
RED-Light 0603	light-emitting-diode	D1	0603_LED_S1	0603 白灯	1
SS54	Schottky diode	D2	SMA	SS14	1
PW4054	charging chip	IC1	SOT23-5N	LTC4054	1
USB type C		J1, J2	USB Type-C- 16Pin_A	USB_C	2
TF_Card	TF slot	J3	TF slot	TF_Card	1
10uH	resistor	L1	LC-0603_L	RES	1
2.2UH	inductor	L2	CD32	L1	1
FPC_24		LCD	ST7789V3_24Pin	FPC_24	1
MSM261S4030H0		MIC	MSM261S4030H0	MSM261S4030H0	1
Header 22	Header, 22-Pin	P1, P2	HDR1X22	Header 22	2
SS8050	[NoValue], 高频放大 -NPN	Q1, Q2, Q3	SOT23-3N	Q S9013, 8050-SMD	3
AO3401	P沟道 30V/4.2A	Q4	SOT23-3N	AO3401	1
5.1K	resistor	R1, R2, R4, R6	LC-0603_R	RES	4
10K	[NoValue], resistor	R3, R5, R7, R12	LC-0603_R	R_0Q_0603, RES	4 4
.7K	[NoValue], resistor	R8, R9, R11, R13	LC-0603_R	R_1, RES	4
10R	resistor	R10	LC-0603_R	RES	1
10K		R14	RCA-8P4R-0603	RES4	1
0R	resistor	R15, R27	LC-0603_R	RES	2
1K	resistor	R16, R17, R18, R19, R20, R21, R25	LC-0603_R	RES	7
1A	resistor	R22	0805_R	RES	1
100K	resistor	R23	LC-0603_R	RES	1
22K	resistor	R24	LC-0603_R	RES	1
2K	resistor	R26	LC-0603_R	RES	1
200K	resistor	R28	LC-0603_R	RES	1
RST	Switch	RST	KEY_1	SW-PB	1
K1-5203UA-02		SW1	K1-5	K1-5203UA-02	1
CH9102F		U1	QFN24 4x4_N	CP2104	1
ESP32S3-WROOM-1(N8R8)		U2	ESP32S3-WROOM-1	ESP32S3-WROOM-1	1
ME6211C28M5G		U3	SOT23-5N	ME6211C28M5G	1
ME6211C15M5G		U4	SOT23-5N	ME6211C15M5G	1
MPU6050	9-axle Sensors	U5	QFN24 4x4_N	MPU6050	1