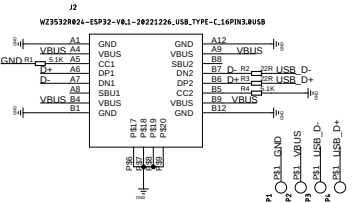
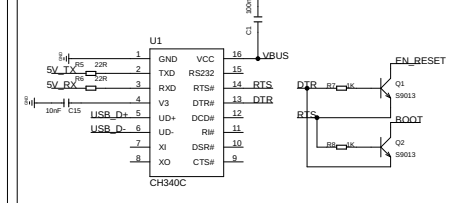


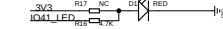
USB type-c



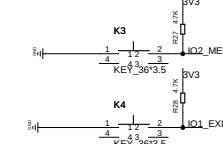
USB to serial port



POWER LED

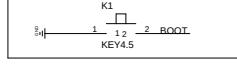


EXIT key

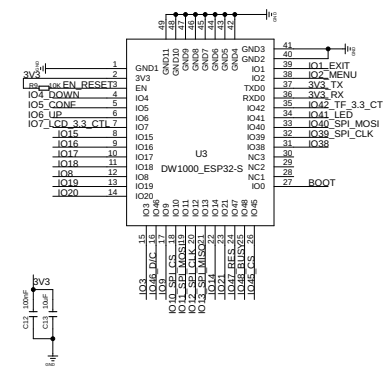
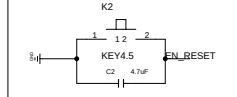


ESP32-S3-WROOM-1-N8R8

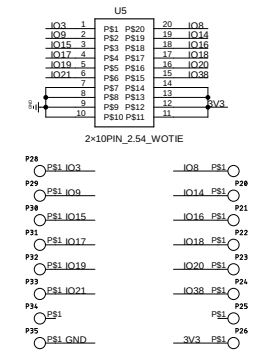
BOOT



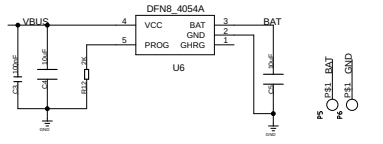
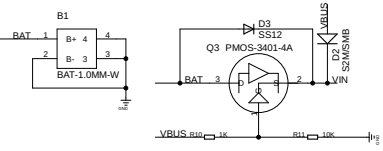
RESET



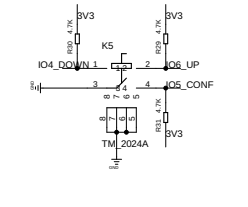
GPIO



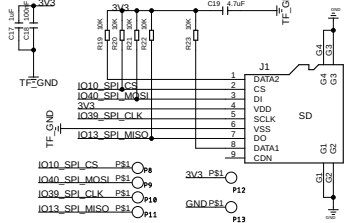
BAT and control



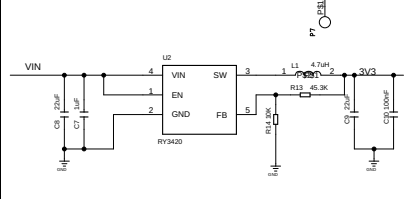
swi tch



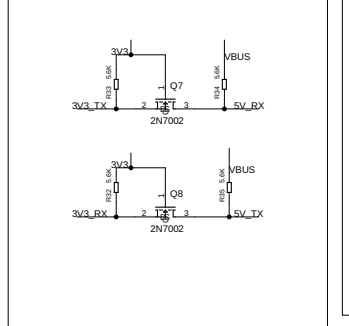
TF Card



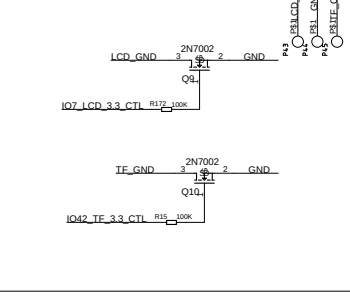
3.3V power



Serial level translation



TF LCD



EPD interface

