

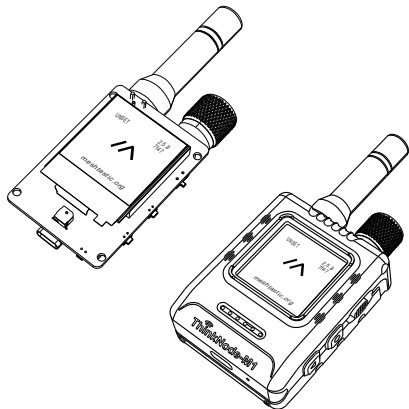
Precautions

- Avoid placing the product in damp or high-temperature areas.
- Do not disassemble, impact, crush, or throw the product into fire; do not use after submersion in water.
- If the product shows physical damage or severe swelling, do not continue to use it.
- Do not use an unsuitable power supply to power the device.

Main Specifications

Product Name	ThinkNode-M1
Dimensions	82*51.6*26.3mm (Without antenna)
Weight	81g (With enclosure)
Screen	1.54" EPD
Type-C port	5V/1A
Battery Capacity	1200mAh

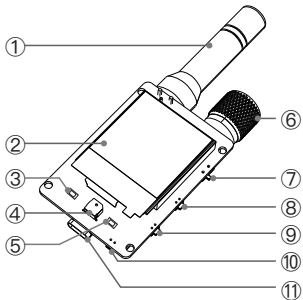
ThinkNode-M1



Meshtastic Series Transceiver Device
Powered By nRF52840

User Manual

Device Parts



- | | |
|------------------------|------------------------|
| 1. LoRa Antenna | 7. GPS Switch |
| 2. 1.54" EPD | 8. Function Button |
| 3. Product Status LED | 9. Page Turn Button |
| 4. Buzzer | 10. Reset Button |
| 5. GPS/LoRa Status LED | 11. Type-C Port: 5V/1A |
| 6. Rotary Switch | |

Quick Guide

- **Rotary Switch:** Turn the power switch clockwise to turn on the device and adjust the backlight LED brightness level; turn it counterclockwise to turn off the power.
- **GPS Switch:** toggle to enable or disable GPS positioning function.
- **Function Button:**
 - Single Click:** Send a temporary ping to the network to report the device's location.
 - Double Click:** Turn the LED backlight on/off.
 - Triple Click:** Trigger an SOS alarm signal (three short, three long; three short), activate the buzzer, and make the indicator light blink.
 - Long Press:** Enter standby power-saving mode; (can be awakened by clicking any function key or pressing the switch key).
- **Page Turn Button:** Switch screen display pages by single click.
- **Reset button:** Click to restart/reboot the device.

- **Product Status LED:** a. After the device is turned on normally, the red light stays on steadily.
b. The red light flashes rapidly to indicate charging status, and remains steady when fully charged
c. When the battery level is low, the red light will flash slowly.
- **GPS/LoRa Status LED:** GPS/LoRa working/data transmission status indication, blinking blue.